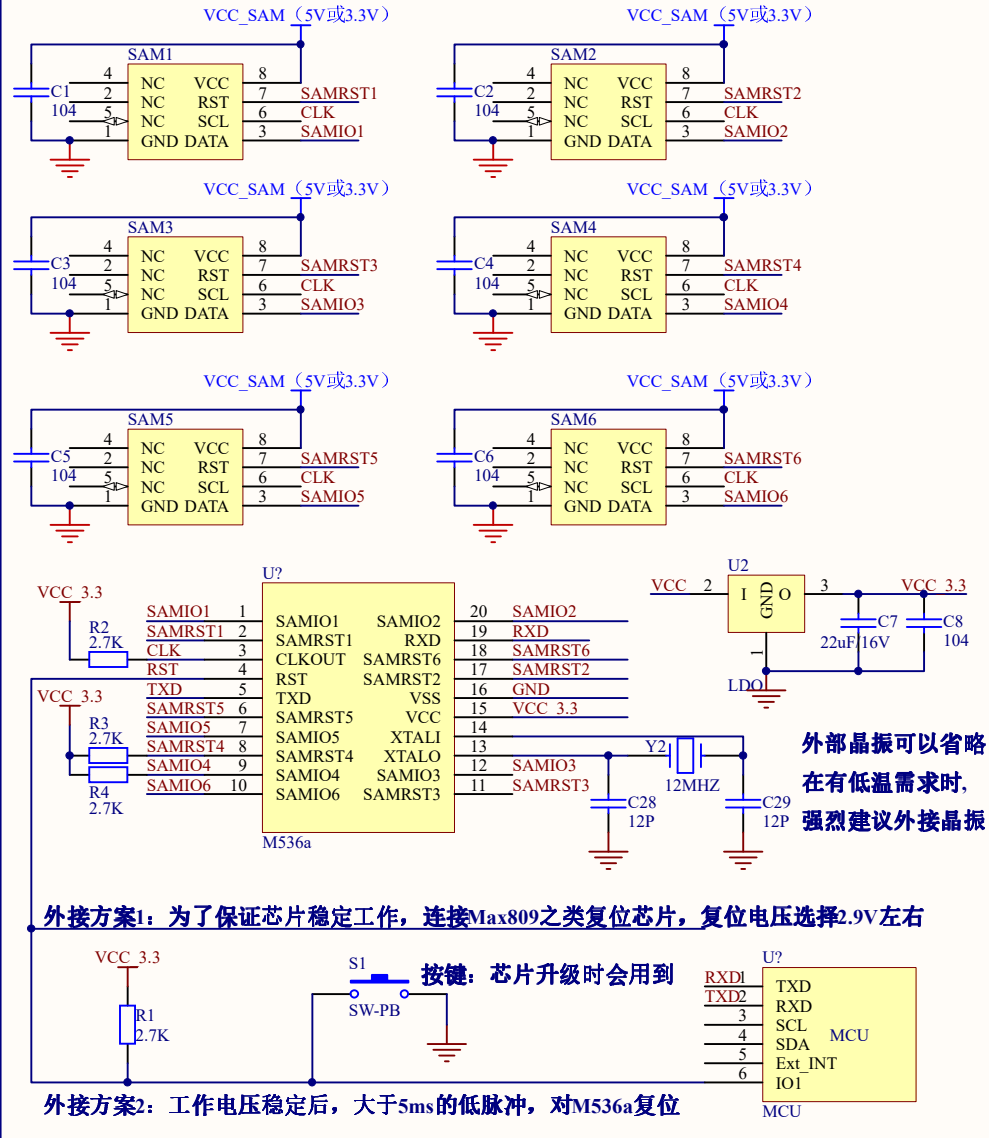


VCC_SAM可根据实际卡片要求提供5V或3.3V电源



Title		
Size A4	Number	Revision
Date: 2018/5/15	Sheet of	
File: D:\WorkFold\...\M536a-as.SchDoc	Drawn By:	